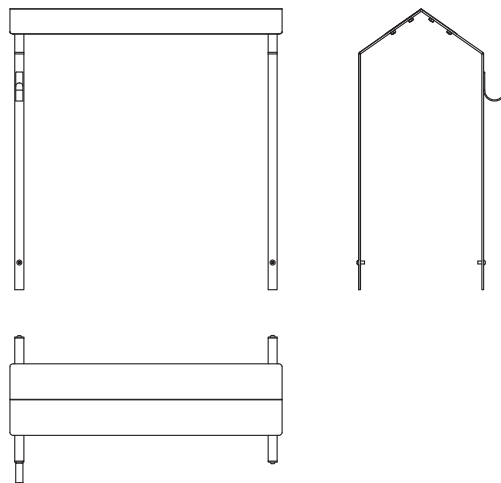
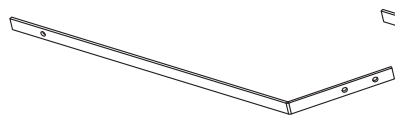
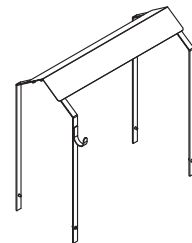


instructions

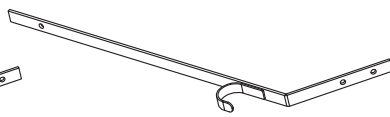
1. The (E) needs to replace the original screws;



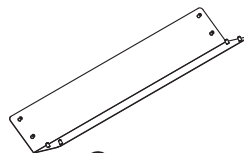
Herstera



(A) x3



(B) x1



(C) x1



(D) x8



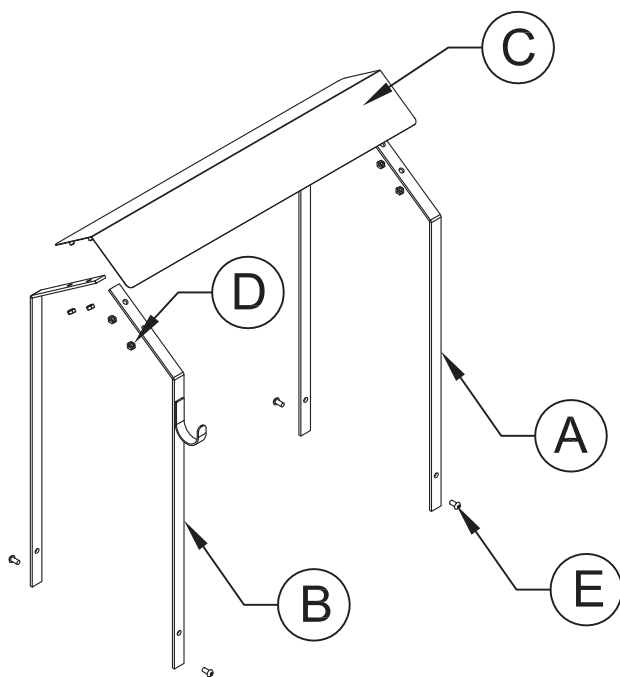
(E) x4



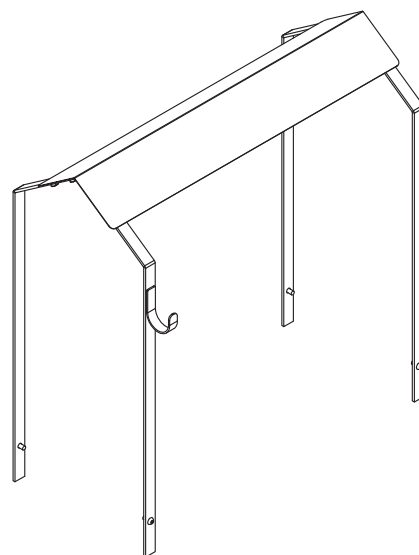
(F) x1



(G) x1



1



2