



1 4 x 

2 24 x 

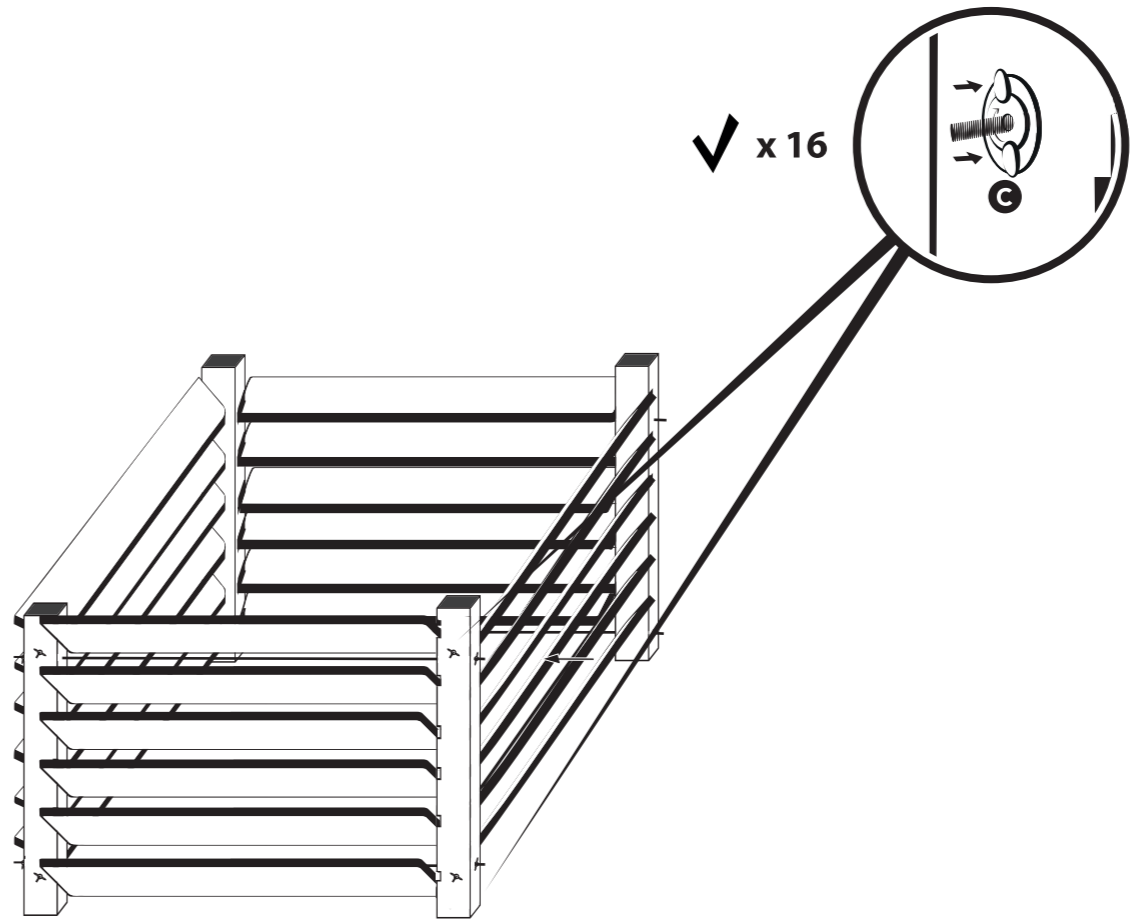
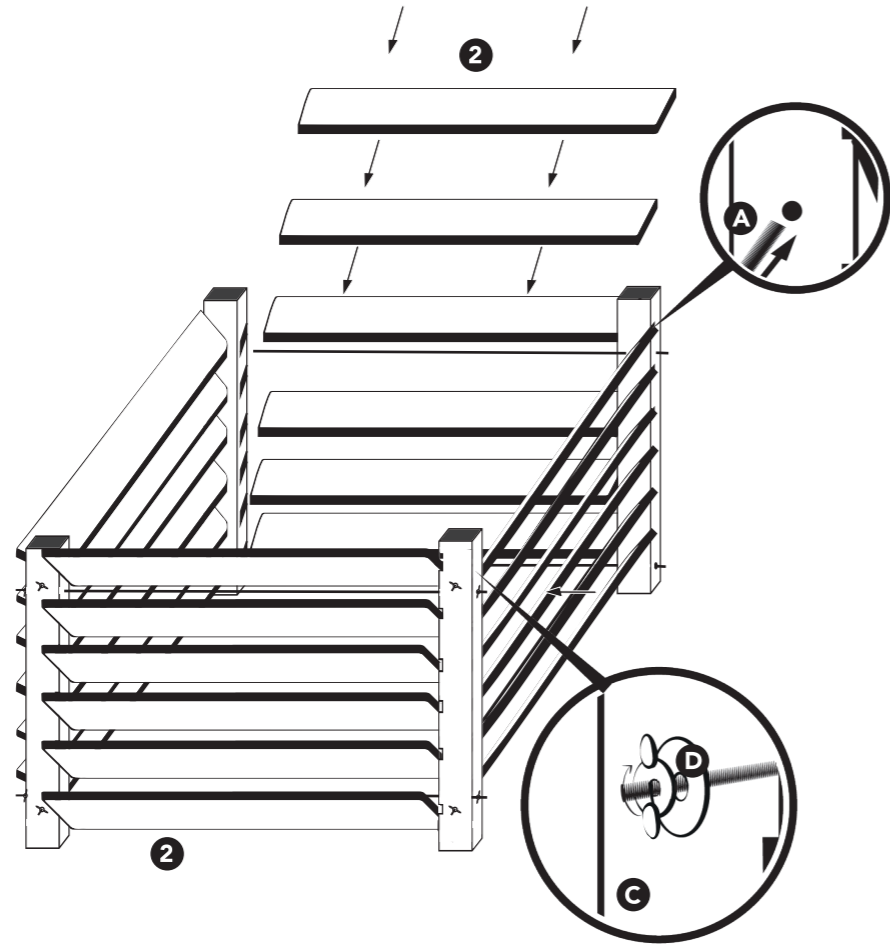
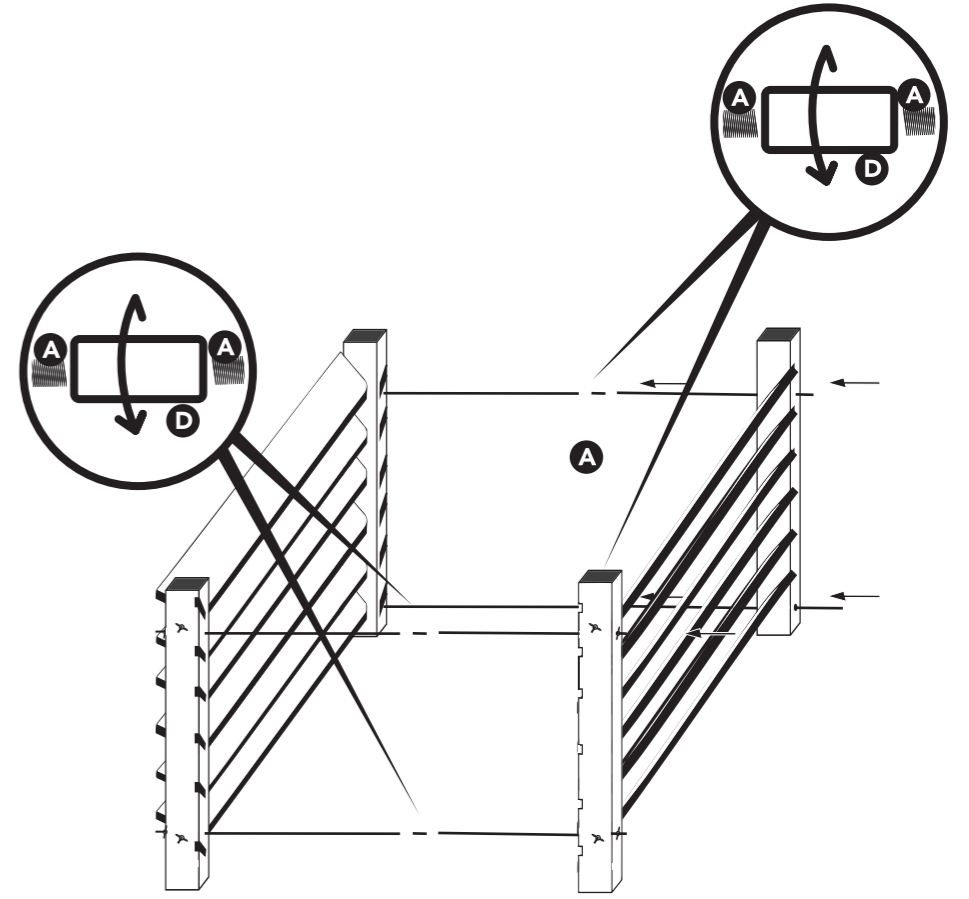
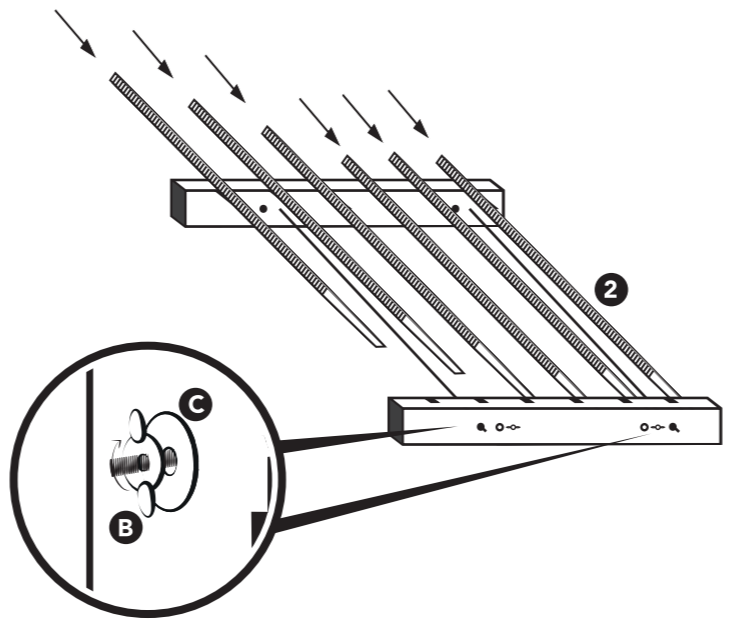
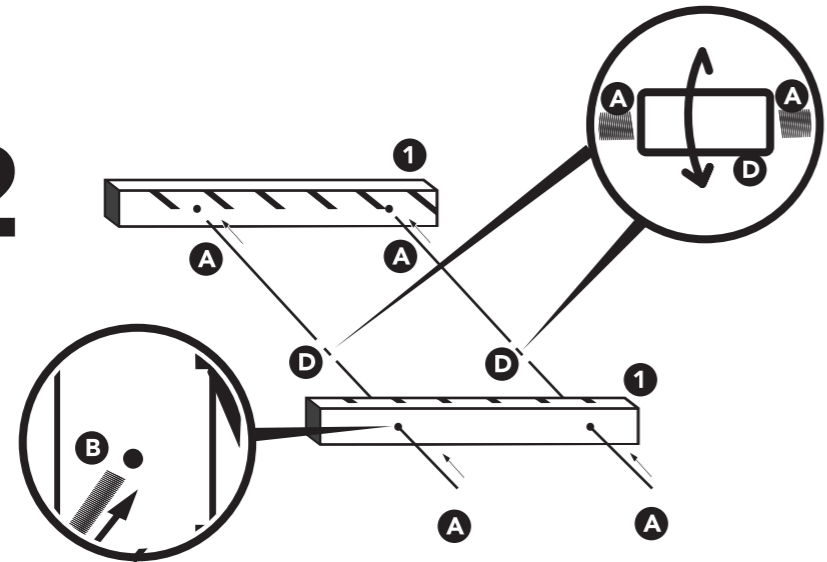
A 16 x 

B 16 x 

C 16 x 

D 8 x 

✓ x2



✓ x16